

MAINTENANCE INSTRUCTIONS

CHECK VALVE WITH LID

MODEL "EREZ" NR-040, NR-042, NR-044

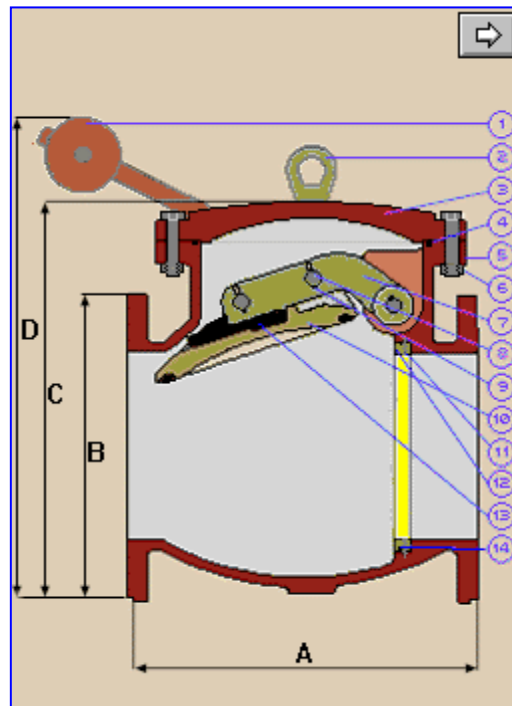
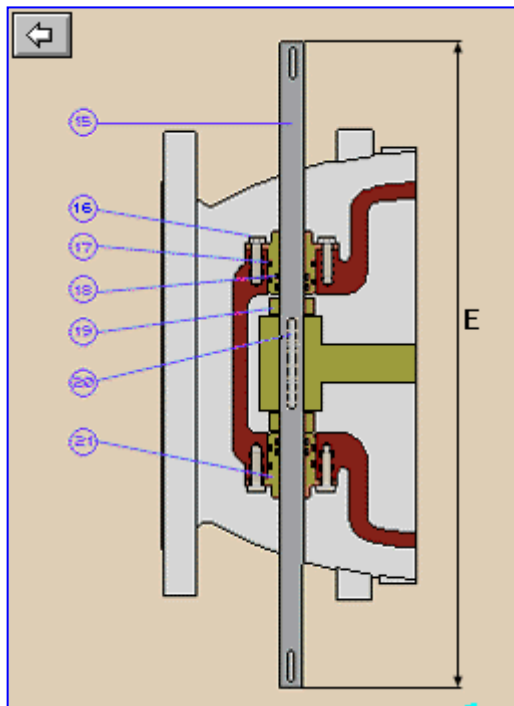
GENERAL INSTRUCTIONS

1. Routine service is an integral part of the standard procedure for maintenance of a water supply system.
2. Recommended routine maintenance— once or twice a year, according to the quality and kinds of the fluids in the system.



A. Installation

- ❑ The valve can be installed either horizontally or vertically, while the flow is toward the upper part.
- ❑ The **counter weight assembly** (1) will be installed so the arm turns down at a 45° angle when the valve closes.
- ❑ **Shut-off valve** – in order to allow maintenance and removal of the valve, a shut-off valve will be installed before the inlet and / or after the outlet of the valve, according to the conditions in the pipeline.
- ❑ It is recommended drainage valves before and after the valve in order to release the pressure and to drain the line.
- ❑ **Stainless Steel Shaft** (15) – it is forbidden to weld or to coat the shaft.



B. Periodic Maintenance

1. Greasing of the bolt and key of the counter weight.
2. Greasing the bolts of the valve's cover (lid) .
3. Brush painting of the surface area of the valve body.
4. In case the valve is installed in waste water system , open the valve's cover and wash the internal part from dirt, solids and debris

	Symptom	Cause	Corrective action
1	Leakage from the shaft O-Ring	1) O-ring Elastomer deterioration. 2) Shaft Erosion at O-rings contact	1) Change the O-rings plugs. 2) Replace the complete shaft.
2	The seats no properly sealed (reverse flow occurring)	1)Hard solid stuck on the seats 2) Elastomer deterioration. 3) Exaggerated clearance between the internal parts due to Erosion	1) Open the upper lid and clean both the two seats. If needed, replace the body seat. 2) Replace the rubber-lined disc. 3) Change the complete disc and arm assembly
3	The micro switch is out of function	The micro switch roller is no more in contact with the actuator came	Check the tightening of the came retaining bolt on the shaft. Carefully fix the came in the right position for correct indication.
4	Leakage from the upper cover	Defective O-ring seal	Change the lid O-ring seal



A.R.I. FLOW CONTROL ACCESSORIES

KIBBUTZ KFAR CHARUV 12932 WWW.ARIVALVES.COM

TEL. 972-4-6761988 FAX. 972-4-6763402 E.MAIL: ari@ari.co.il