



# NR-47 PN 6 / 10 / 16



## Removable Cover Check Valves

### Description

A check valve with a resilient disc, allows for one-directional flow and prevents liquid return to its source.

This valve has a removable upper cover which allows for the cleaning and maintenance of the valve without the need to remove it from the pipeline.

The valve disc is rubber-coated and attaches to a shaft, which is locked into the valve body.

Sealing is performed by the closing of the disc up against the valve seat, located at the inlet to the body.

### Applications

- Water transmission systems
- Wastewater and sewage treatment systems

### Operation

The check valve seals against the return flow of water from the downstream side of the flow to the side upstream side

### Main Features

- Valve size range: 2" – 20"
- Work pressure: 6/10/16 bar
- Maximum working temperature: 60°C.
- Valve coating: oven-cured blue epoxy
- Cast body made to withstand surge
- Internal parts are made of durable non-corrosive materials, allowing for long term operation under harsh conditions.
- Minimal energy losses and smooth water flow, achieved by the complete elevation of the disc into the upper cover opening.
- Vulcanized disc – for sealing at low pressure and preventing wear of the sealing area
- The disc is reversible - doubling the life time for use
- Soft sealing according to Standard EN 12334
- Rubber stoppers restrain the movement of the disc at the maximum opening height; no contact between coated metal parts prevents damage to the coating.
- Can be mounted horizontally and vertically
- Suitable for different types of liquids.
- The valve is manufactured flanged according to European standard EN-1092

### Options

Available in two models for different media:

- NR-47 – potable water
- NR-47F - wastewater

### Note:

For best suitability, it is recommended to send the fluid chemical properties along with the valve request.

Upon ordering, please specify: model, size, working pressure, thread and flange standard and type of liquid.

## Order code

Art. , DN , PN ,

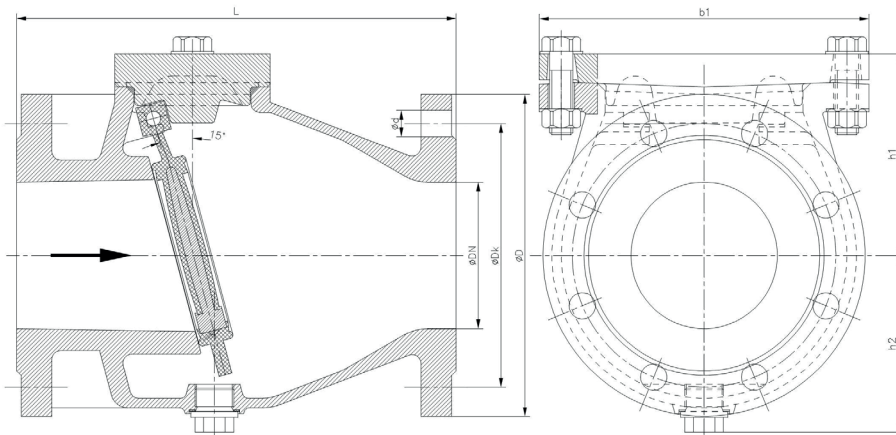
**435** | Nominal size  
**436** | **DN 50 - DN 500**

Pressure rating  
**10** | Potable water application **01**  
**16** | Waste water application **02**  
 Waste water reinforced application **03**  
 Sprinkler system application **04**  
 Saltwater application **05**

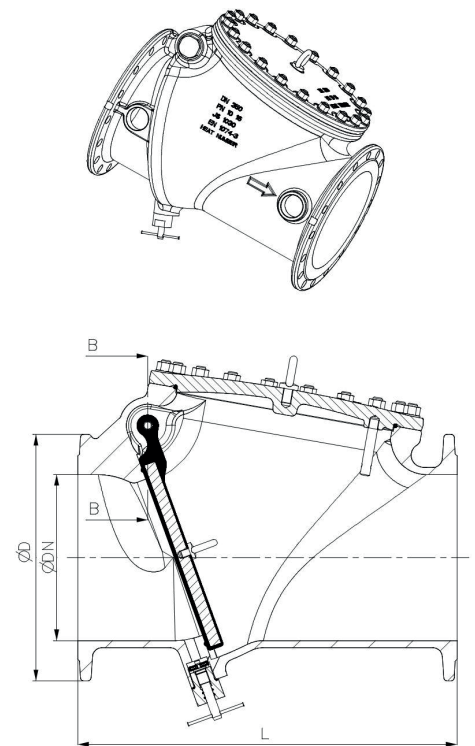
Sample: Art. 435, 80, 16, 01

## Technical drawing

### DN 40 – DN 300



### DN 350 – DN 500



DN	40	50	65	80	100	125	150	200	250	300	350	400	500
D	150	165	185	200	220	250	285	340	405	455	520	580	715
L – Series 48 [mm]	180	200	240	260	300	350	400	500	600	700	800	900	1100
b [mm]	19	19	19	19	19	19	19	20	22	24.5	26.5	28	31
b1 [mm]	164	164	186	200	225	304	340	400	464	504	585	660	770
d PN10/PN16	19	19	19	19	19	19	23	23	23/28	23/28	23/28	28/31	28/34
h1 [mm]	100	100	111	125	140	175	195	251	290	312	427	461	530
h2	90	90	98	105	125	157	155	205	230	255	344	372	424
Dk PN10 [mm]	110	125	145	160	180	210	240	295	350	400	460	515	620
Dk PN16 [mm]	110	125	145	160	180	210	240	295	355	410	470	525	650
n - No. of bolts PN10 / PN16	4	4	4	8	8	8	8	8/12	12	12	16	16	20
Weight approx. series 48 [kg]	10.1	12	16	20	28.5	48	60.5	116	162	222	300	425	618

## Field of application

DN	PN	Max. operating pressure [bar]	Max. operating temperature for neutral liquids [°C]
----	----	-------------------------------	---

40...500    6\*/10/16    10/16    60

## Pressure test acc. to EN 12266

Test pressure shell:	Test pressure seat:
• with air up to DN 200 - Rate A	• with air up to DN 200 - Rate A
• with water DN 250 – DN 500 – Rate A [bar]	• with water DN 250 – DN 500 – Rate A [bar]

24    17,6

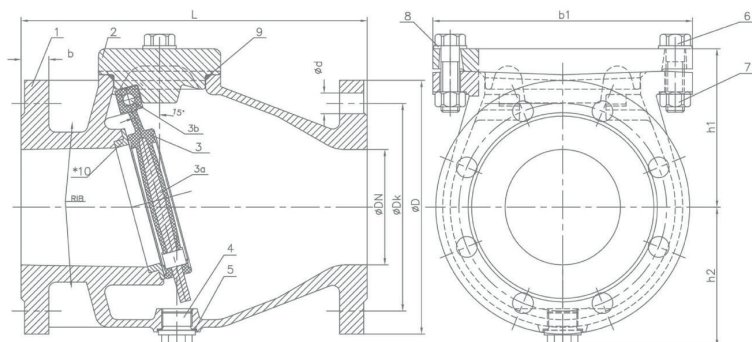
## Technical instructions

Material specification is valid for application 01, 02 and 04

### Swing Check valve Art. 435/436\* DN 40 – DN 300

Pos.	Name	Material
1	Body	GS-400-15
2	Cover	GS-400-15
3	Disc	GS-400-15
3a	Disc insert	GS-400-15
3b	Axis	X5CrNi18-10 Number 1.4301
4	Plug screw	CW 614 N EN 12164
5	Cu-washer	Cu
6	Screw	A2-70 EN ISO 3506-1
7	Nut	A2-70 EN ISO 3506-1
8	Washer	A2-70 EN ISO 3506-1
9	Cover gasket	EPDM 70 Sh
*10	*MS-Ring	*CW 614 N

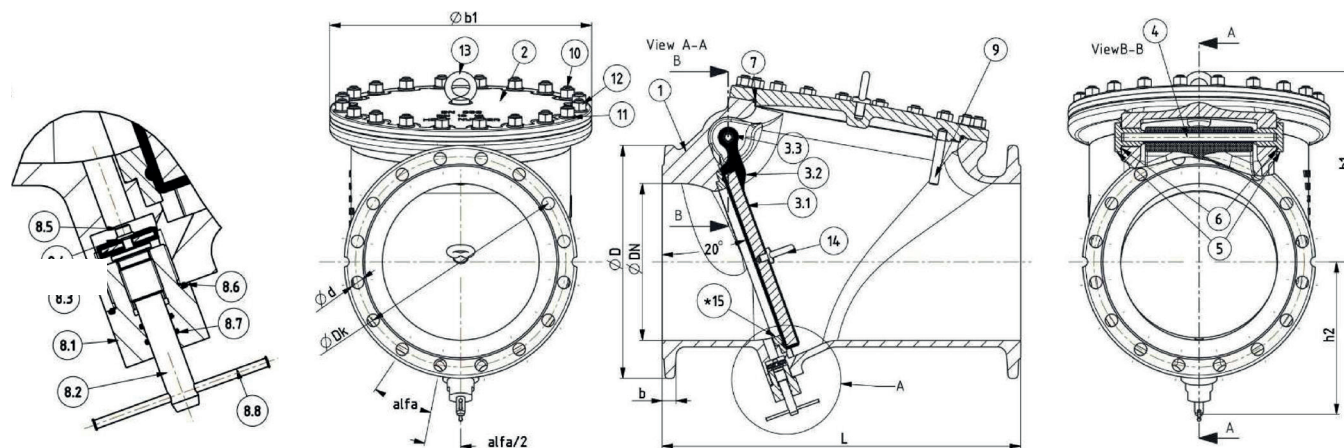
\*Pos. 10 is valid only for Art. 436



### Swing Check valve Art. 435/436\* DN 350 – DN 500

Pos.	Name	Mat
1	Body	GS-400-15
2	Cover	GS-400-15
3	Disc	S235JRG2 COATED EPDM AA7GDZ
4	Axis	X20Cr13
5	Bearing	CW 614 N
6	O-Ring	EPDM 70 Sh
7	O-Ring	EPDM 70 Sh
8	Bypass valve	/
8.1	Bypass body	CW 614 N
8.2	Bypass shaft	X20Cr13
8.3	Bypass gasket	EPDM 70 Sh/SS AA7GDZ
8.4	Washer	A2
8.5	Screw	A2-70
8.6	O-Ring	EPDM 70 Sh
8.7	O-Ring	EPDM 70 Sh
8.8	Handle	X20Cr13
9	Limiter	X20Cr13
10	Screw	A2
11	Washer	A2
12	Nut	A2
13	Ring screw	A2
14	Ring screw	A2
*15	*MS-Ring	*CW 614 N

\*Pos. 15 is valid only for Art. 436



Detail: A

