

NR-034 PN 16 - 100



Check Valve

Description

The NR-034 Swing-Type Non-Return Valve allows for one directional flow and prevents the return flow of the liquid to its source.

This check valve is designed for installation on horizontal pumps, boosters and filtration systems, preventing return flow and providing for quiet closure and total sealing of the sealing face.

The length of the NR-034 check valve is designed to allow installation between two flanges of short spacing, allowing for installation of the check valve in small and narrow systems.

Applications

- Potable water systems
- Reservoirs
- Pumps and pump stations
- Lateral pivots
- Swimming pools
- Filtration systems

Specifications

The NR-034 check valve is available in the size 2"

2" – with the extended shaft

2" – with the short shaft

Working pressure: 16 / 25 / 40 / 64 / 100 bar

Maximum working temperature: 90°C.

Surge-resistant cast stainless steel body.

Internal parts made of stainless steel.

Selection

- NR-034 check valve can be installed either horizontally or vertically (only when the flow is in an upward direction).
- Counterweights can be installed for quiet closure.
- A limit switch can be installed to alert and protect the pump during the start of water flow and its cessation.
- An extended shaft can be installed, enabling the addition of a counterweight and/or limit switch.
- For maximum suitability, it is recommended to define the fluid composition and requirements of the system.
- For proper product selection and installation location, please see the recommendations page or consult with our marketing dept.

Upon ordering, please specify: model, size, working pressure, threads standard and type of liquid.

Limit Switch Model LS

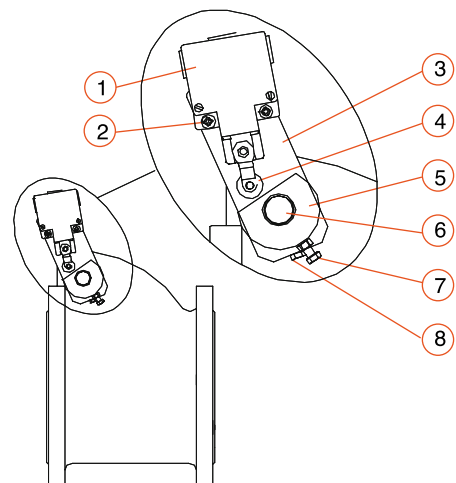
A device which transmits a contact signal to the station control panel, monitors the flow status of the non-return valve, and provides for a smooth and trouble-free operation of the system.

The device is made up of a stationary part, fastened to the body of the non-return valve and a single moving part, fastened to the shaft of the valve, which moves with the opening/ closing of the non-return valve.

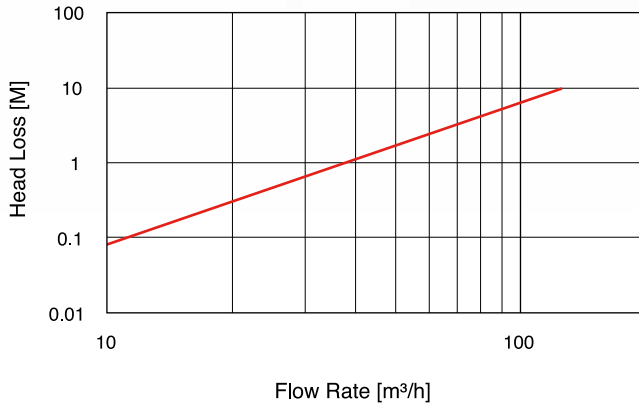
The limit switch can be obtained for the non-return valve in a diameter 2".

Instructions for Installation and Usage

The base (3) of the limit switch and the limit switch itself (1) should be installed on the brass plug (2) of the non-return valve, being firmly fastened there by the bolt (8) located on the side of the base. The activator (5) should be installed on the shaft of the non-return valve, with the straight part pointing at the limit switch gate pulley (4). The activator can be adjusted in such a way that it activates the limit switch according to the desired opening / closing angle of the non-return valve. Once it is properly set, the activator is fastened to the shaft with the fastening bolt (7).

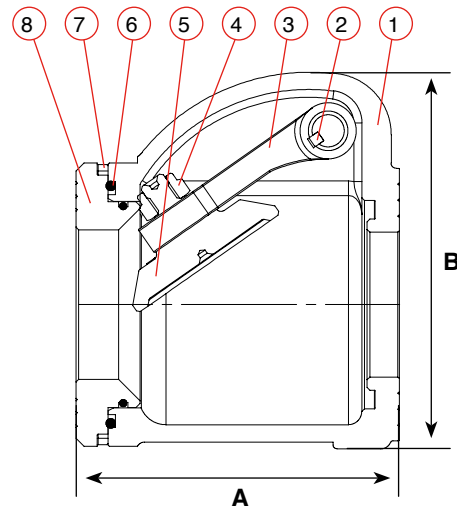


HEAD LOSS



DIMENSIONS AND WEIGHT

Model	Dimensions mm				Weight Kg.
	A	B	C	D	
2" (50mm) FTC	121	141	250	77	4.3
2" (50mm) Threaded	152	141	250	97	4.6



PARTS LIST AND SPECIFICATION

No.	Part	Material
1.	Body	Stainless Steel SAE 316
2.	Key	Stainless Steel SAE 316
3.	Disc Arm	Stainless Steel ASTM A744 CF8M
4.	Slotted Nut	Stainless Steel SAE 316
5.	Disc	Stainless Steel SAE 316
6.	O-ring	EPDM
7.	O-ring	EPDM
8.	Cover	Stainless Steel ASTM A744 CF8M
9.	Bushing	Stainless Steel SAE 316 / Acetal (PN16/25)
10.	O-ring	EPDM
11.	Spacer	Stainless Steel SAE 316
12.	O-ring	EPDM
13.	O-ring	EPDM
14.	Rod	Stainless Steel SAE 316

