



CHECK VALVE MODEL NR-020 , NR-010 MAINTENANCE INSTRUCTIONS

GENERAL INSTRUCTIONS

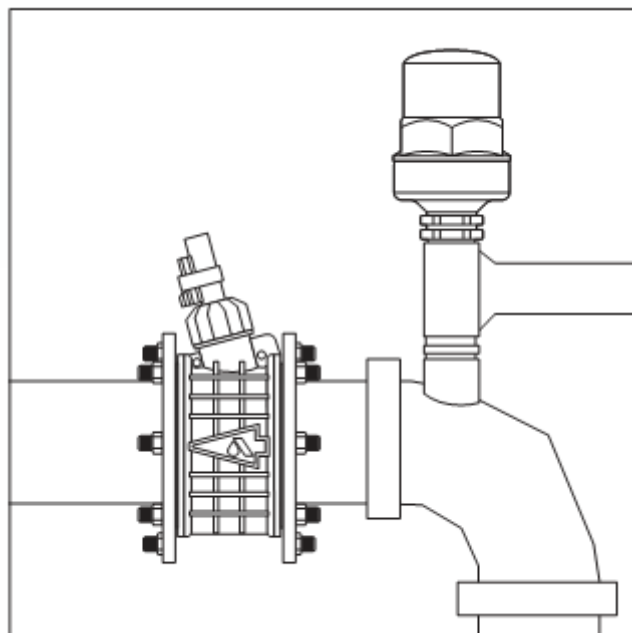
1. Routine service is an integral part of the standard procedure for maintenance of a water supply system.
2. Recommended routine maintenance—once or twice a year, according to the quality and kinds of the fluids in the system.

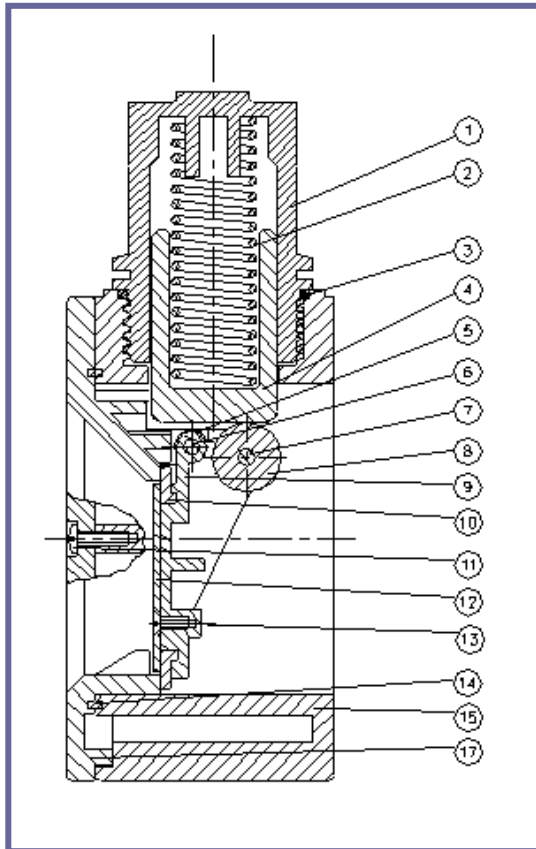
A. Installation

- The valve can be installed either horizontally or vertically, while the flow is toward the upper part.
- **Shut-off valve** – in order to allow maintenance and removal of the valve, it is recommended to install a shut-off valve will before the inlet and / or after the outlet of the valve, according to the pipeline configuration.
- For easy maintenance, the valve will be installed with the spring and piston unit (1) upward oriented.

B. Periodic Maintenance:

1. Check the flanges tightening bolts twice a year and retighten if needed
2. When the check valve is close under backpressure, check the reverse flow leakage by external hearing.





	Symptom	Cause	Corrective action
1	The disc doesn't close	1) Interference between the disc motion and an adjacent shut-off valve (butterfly) 2) Body deformation due to over tightening of the positioning bolts.	1) Separate the two devices, far enough, to avoid any physical contact between the NR-020 disc and the shut-off valve. 2) Check the tightening moment of the retaining bolts to a reasoning level allowing sealing at the flanges.
2	Swelling of the Rubber seal disc	In the majority of cases, the swelling is caused by the presence of dissolved Chlorine in the water principally near the chlorinator in swimming pools or treatment stations.	The use of N-020 in water with more than 4-6 ppm chlorine dissolved is not recommended.
3	Leakage from the indicator rode O-Ring	Erosion or chemical attack	Change the spring chamber assembly.

