

R-30 E

Electric Operated Control Valve



Introduction

Based on a unique technology that combines innovative design and performance, the Eliptix line of hydraulic control valves offers optimal system protection from transient pressures in the areas of waterworks, irrigation systems and landscape.

With an innovative elliptical structure, the Eliptix control valve line offers accurate, stable and excellent rates. The regulating capabilities for a wide range of flow rates from drip to maximum flow. Requiring exceptionally low operating pressure for valve opening and closing with rapid, yet gradual response to fluctuations in flow rates, the Eliptix valve is designed for minimal head loss and increased revenue.

With an exceptionally simple mechanism and a minimal amount of moving parts, the Eliptix hydraulic control valve line delivers reliable operation, extended durability and cavitation reduction resulting in significant cost reduction with minimal, fast and simple inline maintenance. Rugged, high quality construction meets applicable engineering standards.

Description

The Eliptix Electric Operated Control Valve Model R-30 E is activated by line pressure. The Eliptix R-30 E is opened or closed by an electric command through a solenoid valve. The solenoid is energized or de-energized by an electric pulse to open or close the valve.

A normally closed solenoid is used with a normally open valve (N.O. – with no energy the valve is opened by line pressure) and a normally open solenoid is used with a normally closed valve (N.C. – with no energy the valve is closed by line pressure).

The solenoids are available in two types, latch (DC) and pulse (AC).

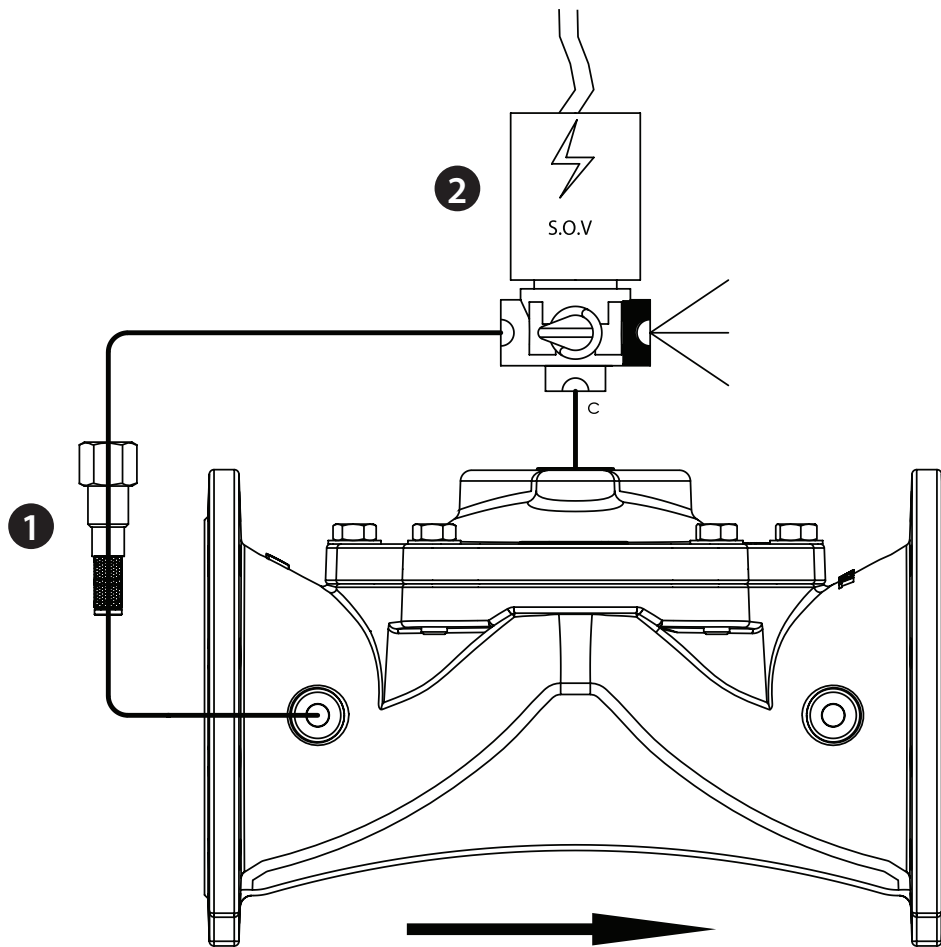
Product Features

- Rugged, high quality construction meets applicable engineering standards
- Long service life and low maintenance
- Unique technology, innovative design and performance
- Free and unobstructed liquid flow with minimal head loss
- Designed to reduce cavitation
- Elliptic diaphragm reacts faster with less movement
- Small control chamber enables quicker response

Schematic Control Loop Diagram

COMPONENTS

1. Finger Filter
2. Solenoid Valve



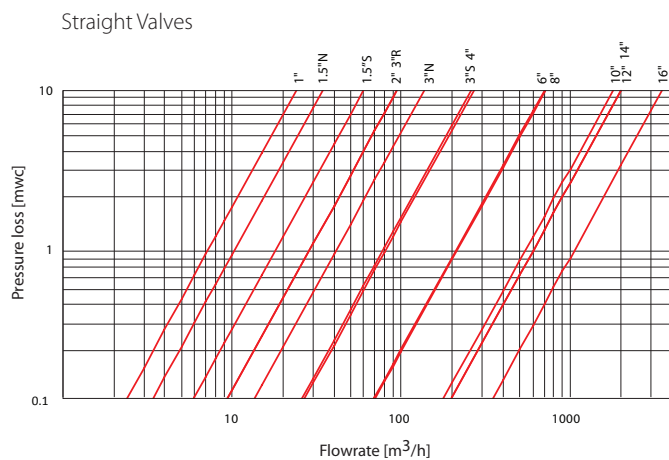
Electric Operated Control Valve

Purchase Specifications

The control valve shall be a hydraulically operated, weir type, in-line serviceable valve.

The main in-line hydraulic control valve shall have only two moving parts, the resilient diaphragm and the spring. The diaphragm shall be the only sealing component of the control valve.

Eliptix Series 30 Flow Capacity Chart



Valve Technical Specifications*

Series R-30 PN16

Self-actuated, WEIR type diaphragm actuated, hydraulic control valve

*For dimensions and weights, please refer to the Eliptix Basic Valve leaflet

Material	Body & Bonnet	Ductile Iron / Stainless Steel SAE 316
	Diaphragm	Natural Rubber / EPDM
	Spring	Stainless Steel SAE 302
	Spring Seat	Acetal / Stainless Steel SAE 316
	Bolts	Steel, Zinc Cobalt Coated / Stainless Steel SAE 316
	Piping & Tubing	Stainless Steel SAE 316 / Reinforced Nylon
	Coating	Polyester
Pressure Rating	Maximum working pressure - 16 bar Minimum working pressure - 0.4 bar (depending on type of diaphragm)	
Water Temp. Range	5° to 60°C	

Solenoid Specifications

Solenoid Type	Description
Normally Closed (NC)	24v AC 50/60 Hz power source
Normally Open (NO)	24v AC 50/60 Hz power source

Special Feature:

Normally Open (NO)	110V, 220V AC and 9V, 12V, 24V DC
Latch Solenoid	Available voltage: 3, 6, 9, 12, 24, 230 Please supply latch solenoid requirements to match specifications.

Installation and Storage Recommendations

- Always flush the pipeline to remove debris before the installation of the valve.
- Arrow on the valve bonnet must match the actual flow direction.
- Tighten bolts to the recommended torque for the specific size and model of the Eliptix valve.
- Do not over-torque.
- Tighten bolts using the crossover method.
- If the Eliptix valve is for use in ambient or fluid temperatures below freezing, consult your nearest A.R.I. distributor. If shut down during cold weather, the valve control space and the control system must be drained.

When ordering, please specify

- 1) Eliptix Control Valve Series R-30 model E
- 2) Eliptix valve size
- 3) Desired End Connection / Standard
- 4) Static inlet pressure (when valve is closed)
- 5) Dynamic pressures (min – max)
- 6) Flow rates (min-max)