

Eliptix by **A.R.I.**
Hydraulic Control Valves

R-20 RME 3W

Electric Operated Pressure Reducing Control Valve 3 Way

The following is a step by step narrated description of the Eliptix R-20 RME 3W Electric Operated, Pressure Reducing Valve installation, operation and maintenance processes.

The A.R.I. R-20 Series is a line of composite material, diaphragm-operated, hydraulic control valves. The valves are suitable for installation in agriculture, water transmission and waterworks systems for irrigation, landscape and infrastructure applications.

The R-20 series has an innovative elliptic shaped diaphragm that integrates well with a wide variety of regulating control pilots, solenoids and control accessories.

They are compatibility designed for water level control, flow control, electric & remote control as well as pressure reducing & pressure sustaining operation.

The R-20 RME Electric Operated, Pressure Reducing Valve is designed to reduce a higher upstream pressure to a preset lower downstream pressure and to maintain this constant pressure regardless of flow-rate or upstream pressure fluctuations. The valve is also controlled either by an ON/OFF Normally Open (N.O.), Normally Close (N.C.) or last position (Latch) solenoids.



TABLE OF CONTENTS

1. SAFETY INSTRUCTIONS	4
General	4
Handling	4
Installation	5
Commissioning and Operation	5
Maintenance.....	5
Before returning to regular operation	6
2. INSTALLATION.....	7
2.1. Pre installation requisites	7
2.2. Installation procedure.....	8
2.3. Initial Start-up - The Control Valve	9
2.4. Initial Set-up - The Pressure Reducing and Electrical Control Application	10
3. CONTROL LOOP	11
4. OPERATION INSTRUCTIONS.....	12
5. MAINTENANCE	13
5.1. Periodic Inspection	13
5.2. Storing the valve.....	13
6. TROUBLESHOOTING	14
7. DIMENSIONAL DRAWINGS.....	15
8. A.R.I. LIMITED WARRANTY	16

Disclaimer

This document is an Installation, Operation and Maintenance (IOM) manual for A.R.I. Flow Control Accessories Ltd. (A.R.I.) products. The information enclosed herein contains restricted, privileged, proprietary and confidential information, intended only for usage by authorized A.R.I. technicians. If you are not a qualified technician, you must not take any action in reliance upon this document, unless otherwise permitted in writing by A.R.I.

A.R.I. has made every effort to ensure that this document is accurate; A.R.I. disclaims liability for any inaccuracies or omissions that may have occurred.

All the procedures, drawings, pictures and/or any other information provided in this document are presented as general information only; they can be altered, removed or changed without A.R.I.'s prior written approval. A.R.I. makes no commitment to update or keep the information in this document current and/or up-to-date, and reserves the right to make improvements, alterations and/or modifications to this document and/or to the products described in this document, at any time without providing any notice with respect thereto. Nothing in this Disclaimer derogates in any way whatsoever from the confidential nature of any document enclosed hereto, including for avoidance of doubt, any mistake or clerical error or other error. None of the procedures provided in this Disclaimer and/or in any document enclosed hereto may be used in any form or by any means without the prior written consent from A.R.I. If you received this Disclaimer and/or in any document enclosed hereto in error or by mistake or if this Disclaimer and/or in any document enclosed hereto is not intended for you, please notify A.R.I. in writing immediately.

A.R.I. assumes that all users understand the risks involved within this Disclaimer and/or in any document enclosed hereto.

A.R.I. accepts/assumes no liability whatsoever, whether caused by: accessing and/or relying upon this Disclaimer and/or in any document enclosed hereto including without limitation any links, procedures or materials.

A.R.I. shall NOT assume any liability for any costs, direct or indirect, including loss of income, loss of profits and/or goodwill, legal actions and/or damages of any kind whatsoever including any, damages accidents, equipment damage or bodily injury resulting from and/or related to any of the following:

- product has not been duly installed and thereafter maintained in strict compliance with its designated Maintenance Instructions and/or any other installation and operation manuals provided by A.R.I. for the product and/or applicable ordinances and/or codes;
- Repairs made in and to the products by personnel not authorized by A.R.I.
- Maintenance or repairs using parts or components other than those specified by A.R.I. and in their original condition.
- Operating the products in ways other than the operating procedures described in the manuals provided by A.R.I., or resulting from not following the cautionary remarks and warnings in the product manual.
- Improper storage, workplace conditions and environmental conditions which do not conform to those stated in the Product manual.
- Fires, earthquakes, floods, lightning, natural disasters, or acts of God.

A.R.I. does not warrant and hereby disclaims any express or implied warranties that the product will work properly in environments and applications other than its original design purpose, and makes no warranty and representation, either implied or expressed, with respect to the quality, performance, merchantability, or fitness for any other particular purpose.

Except as provided herein and to the full extent permitted by law, A.R.I. shall not be responsible and/or liable for direct, special, incidental or consequential damages or loss resulting from any breach of the above or under any other legal theory.

This document does not replace any certified drawing, procedure or information provided by A.R.I. in reference to a specific customer, site or project.

All rights reserved.

1. SAFETY INSTRUCTIONS

General

1. A.R.I. products always operate as components in a larger system. It is essential for the system designers, installers, operators and maintenance personnel to comply with all the relevant safety standards.
2. Installation, operation or maintenance of the product should be done only by qualified workers, technicians and/or contractors using only good engineering practices, complying with and observing all conventional safety instructions in order to minimize risk and/or danger and/or hazard to workers, the public or to property in the vicinity in accordance with all relevant local standards.
3. Extra safety considerations should be taken with hot and hazardous liquids or in hazardous environments' applications to avoid bodily/physical harm and damage to public or private property.
4. All individuals installing operating and/or handling the products including all workers should at all times adhere to the occupational safety and health (OSH) instructions and wear safety helmets, goggles, gloves, and any other personal safety equipment required by the local standards and regulations.
5. Use only appropriate standard tools and equipment operated by qualified operators when installing, operating and maintaining the product.
6. Prior to installation, operation, maintenance or any other type of action carried out on the product, read carefully the safety, installation and operation instructions of the product.
7. Please note:
 - Pressurized fluid and/or gas may be discharged from the product without prior warning. Make sure that all products' outlet ports are not directed toward electrical elements (pumps) or people.
8. Always open and close valves slowly and gradually.
9. Please note that the maximum working pressure indicated at the product's specifications table doesn't include pressure changes caused by water hammer and pressure surge effects. Use the product only according to its designated pressure rate specifications.
10. Use the product only for its intended use as designed by A.R.I. Any misuse of the product may lead to undesired damages and may affect your warranty coverage. Please consult with A.R.I. prior to any non-regular use of this product and make no change or modification to the product without a prior written consent to be provided by A.R.I. at A.R.I.'s sole discretion.
11. Please note that A.R.I. shall **NOT** assume any liability with respect to any damage losses and/or expenses caused to any person and/or property whatsoever unless the product has been duly installed and thereafter maintained in strict compliance with its designated maintenance Instructions and/or any other installation and operation manuals provided by A.R.I. for the product and/or applicable ordinances and/or codes.

Handling

1. Shipping and handling the product must be done in a safe and stable manner and in accordance with the relevant standards and regulations.
2. Storage should be in the original delivery crates or cases. Storage should be off the ground in a clean, dry indoor area.
3. For lifting and positioning the product, use only approved lifting equipment operated by authorized employees and contractors.
4. Prior to the installation visually verify that the product was not damaged during shipment to the installation site.

Installation

1. Install the product according to the detailed Installation Instructions provided with it by A.R.I. and according to the description given in this manual.
2. The user should install manual Isolation Valves at the valve's upstream and downstream ports.
3. In all installation sites, the user should enable good visibility and verify that the work and auxiliary equipment used are done in accordance with the relevant local authorized standards. Extra safety considerations should be taken on hazardous environment sites.
4. Check and re-tighten the bolts connecting the product to the pipeline during commissioning and before operating the product for the first time.

Commissioning and Operation

1. Read carefully the operation instructions prior to any attempt to operate the product.
2. Observe the safety stickers on the product (when exist) and never perform any operation contradicting the instructions given.
3. In order to achieve maximum performance and smooth operation of the product, it is crucial to perform the startup and first operation procedures exactly as described in this manual.
4. In cases where formal commissioning procedure is required, it should be done by an authorized A.R.I. technician prior to the first operation of the product.

Maintenance

Before any maintenance or non-regular operation, please read the following:

1. Servicing the product should be done only by qualified technicians for this type of work.
2. Make sure that you know the exact type of the system fluid. Act accordingly and comply with all the relevant standards and regulations set for handling this type of fluid.
3. Before disconnecting the product from the system and before releasing the residual pressure do **NOT**:
 - loosen or unscrew the product bolts;
 - remove any protection cover;
 - Open any service port.
4. Before any maintenance or non-regular operation, shut off the Isolation valves and release the residual pressure:
 - A. For control valves with a pressure release outlet, slowly open the pressure release plug or the ball valve and make sure that all pressure is released.
 - B. For control valves without a pressure release outlet, slowly unscrew the flange bolts until all the pressure is released from the valve.
5. Make sure the control valve is empty of all liquid prior to commencing maintenance.
6. Remove the product from the line only after ensuring that internal pressure has been released.
7. Place warning signs around the work area as required by the local standards and procedures.
8. Inspect the product's safety stickers and replace any damaged or faded sticker.
9. Manual cleaning of the product and/or its components using high water pressure or steam should be performed in accordance with its specific cleaning instructions, the local standards and regulations and without endangering the operator or the vicinity.
10. Manual cleaning of product and/or its components using acid or other chemical agents should be performed in accordance with the specific cleaning instructions, the relevant safety instructions for using that chemical as given by its supplier, the local standards and regulations and without endangering the operator or his vicinity.
11. For products used in potable water systems, if it is required to disinfect the product, do so according to the local water authority standards and regulations before putting the product into service.

Before returning to regular operation

1. Re-assemble any protection covers or protection mechanisms removed during service or maintenance operations.
2. Make sure that all the tools, ladders, lifting devices, etc. used during the maintenance procedures are taken away from the product area and stored.
3. Remove grease and fat material residues in order to avoid slipping.
4. In order to return the product to regular operation, follow the First Start-up Operation instructions as detailed in your user manual.

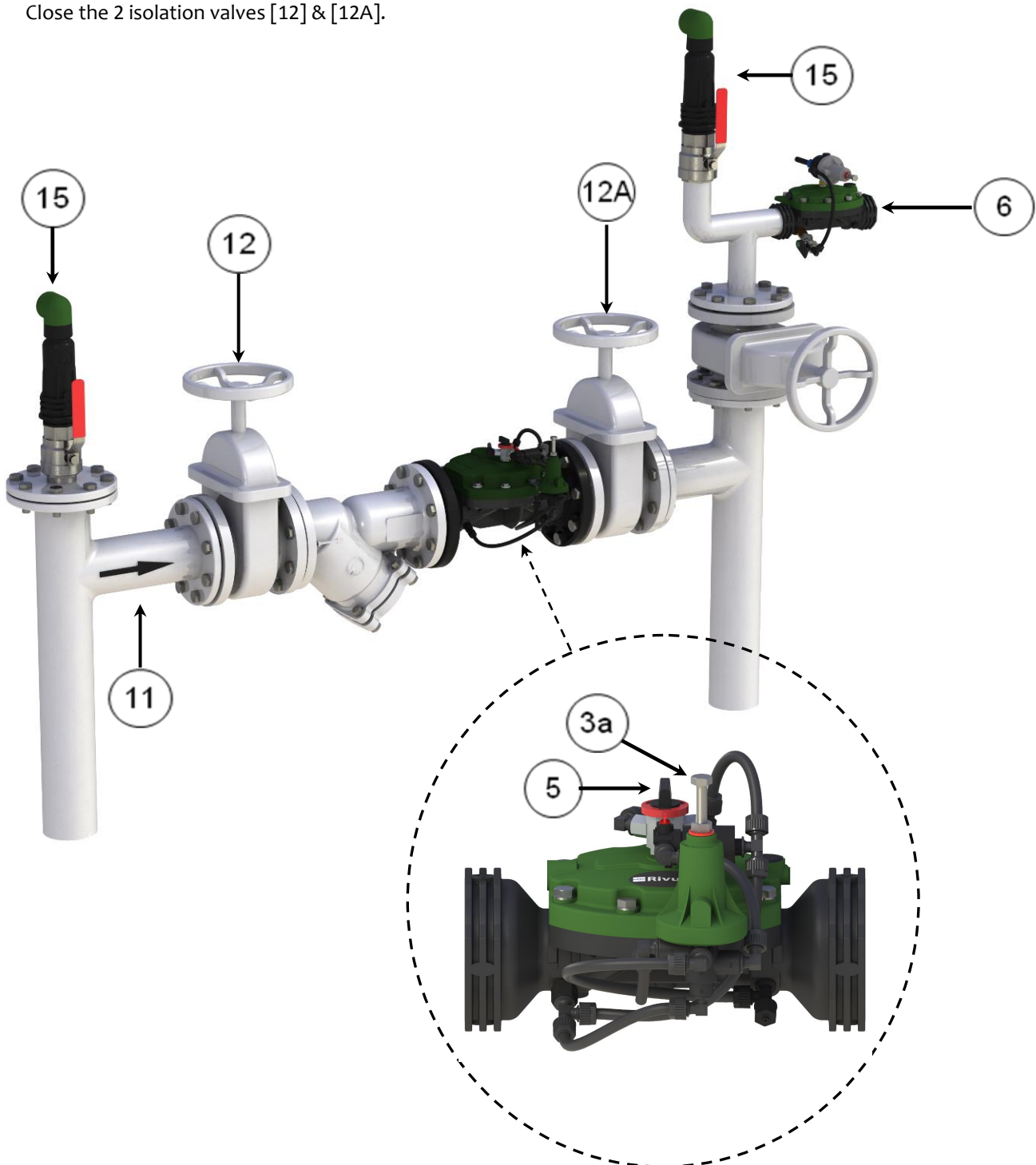
2. INSTALLATION

2.1. Pre installation requisites

1. Important: Before performing any work on the valve make sure that all workers on site are familiar with the safety instructions and the relevant local and general safety instructions and work regulations.
2. Before installing the valve, flush the pipeline to remove scale, dirt and other particles that might affect the valve performance.
3. Carefully remove the valve from the shipping package. Unload all the valves carefully to a sturdy and level surface, taking care not to drop them.
4. Valves fitted with hoist rings should only be lifted and conveyed using these hoist rings.
5. It is recommended that the valve be easily accessible and clearly marked for preventing damage.

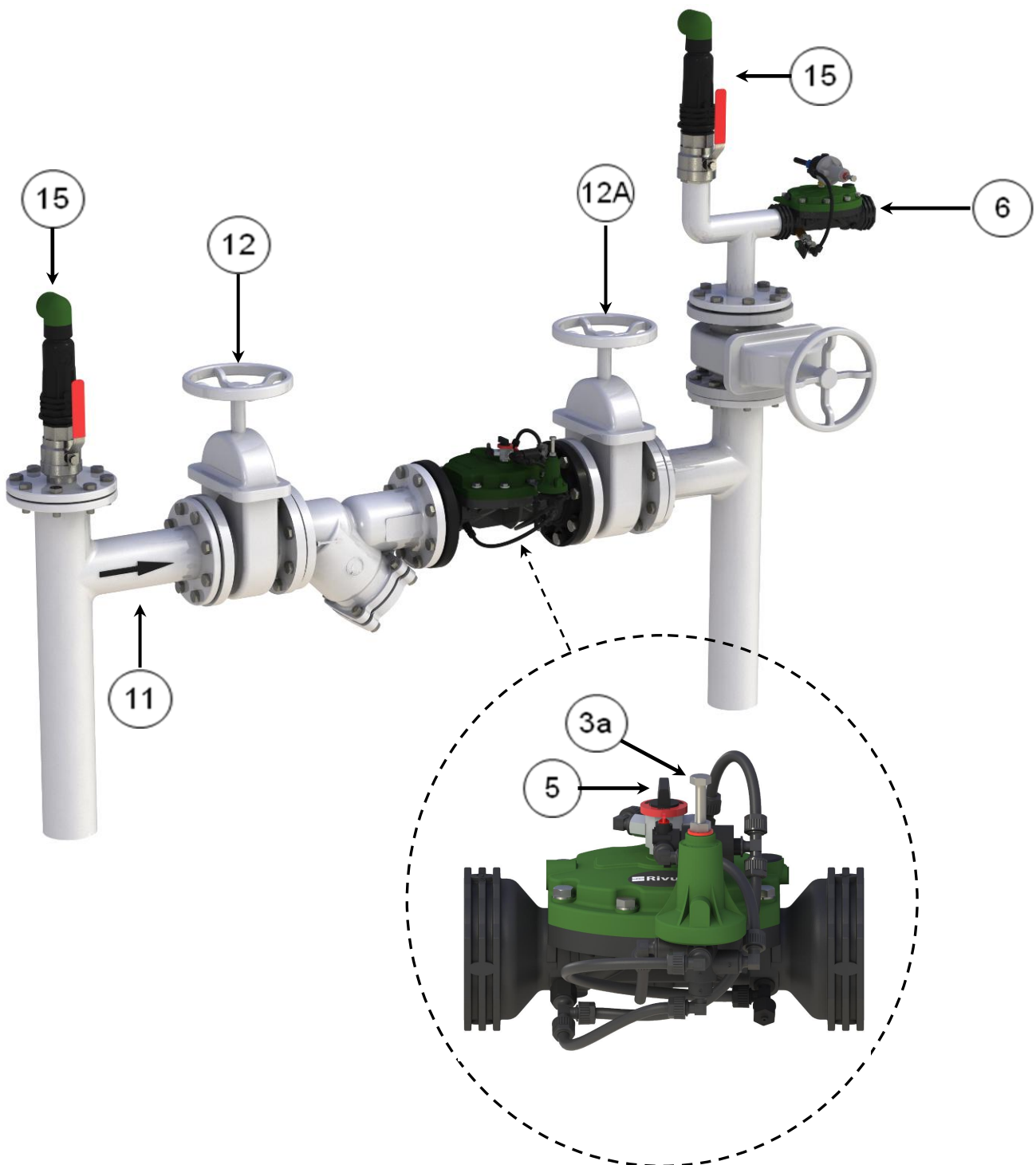
2.2. Installation procedure

1. Install the valve as indicated by the arrow on the valve bonnet, indicating flow direction [11].
2. In addition of the control valve it is recommended to install the following valves:
 - Isolation valves upstream and downstream of the control valve [12] & [12A].
 - Air valves upstream and downstream of the control valve [15].
 - Quick pressure relive valve downstream of the control valve [6].
3. Turn the 3-way selector [5] to its "CLOSE" position and turn on the water supply to the valve.
4. Check for leaks; tighten bolts & fittings, if necessary.
5. Turn the adjusting screw [3a] counter-clockwise until there is no pressure on the spring.
6. Close the 2 isolation valves [12] & [12A].



2.3. Initial Start-up - The Control Valve

1. Make sure that the upstream and the downstream isolation valves are closed [12] and [12A].
2. Slowly open the upstream isolation valve [12].
3. Check for leaks; tighten bolts & fittings, if necessary.
4. Turn the 3-way selector [5] to its "AUTO" position.
5. Open the downstream isolation valve [12A]; Make sure there is water demand downstream.
6. Turn the adjusting screw [3a] clockwise one turn at a time, allowing sometime between turns for the valve to respond, until the downstream pressure reaches the required level, water starts to flow to the pipeline.
7. Gradually continue to open the downstream isolation valve [12A], until it is fully opened.



2.4. Initial Set-up - The Pressure Reducing and Electrical Control Application

1. The following is a general description of the Pressure Reducing and Electrical Control Application:

The R-20 RME Electric Operated, Pressure Reducing Valve is designed to reduce a higher upstream pressure to a preset lower downstream pressure and to maintain this constant pressure regardless of flow-rate or upstream pressure fluctuations. The R-20 RME Electric Operated, Pressure Reducing Valve is designed to reduce a higher upstream pressure to a preset lower downstream pressure and to maintain this constant pressure regardless of flow-rate or upstream pressure fluctuations. The valve is also controlled either by an ON/OFF Normally Open (N.O.), Normally Close (N.C.) or last position (Latch) solenoids.

For the pressure reducing application the pilot senses the downstream pressure through its #1 port.

When the downstream pressure is higher than the pilot's pressure settings, the pilot increases the internal pressure of the control chamber by letting water enter the control chamber through port #4, causing the valve's diaphragm to slightly close and decrease the downstream pressure back to the required settings level.

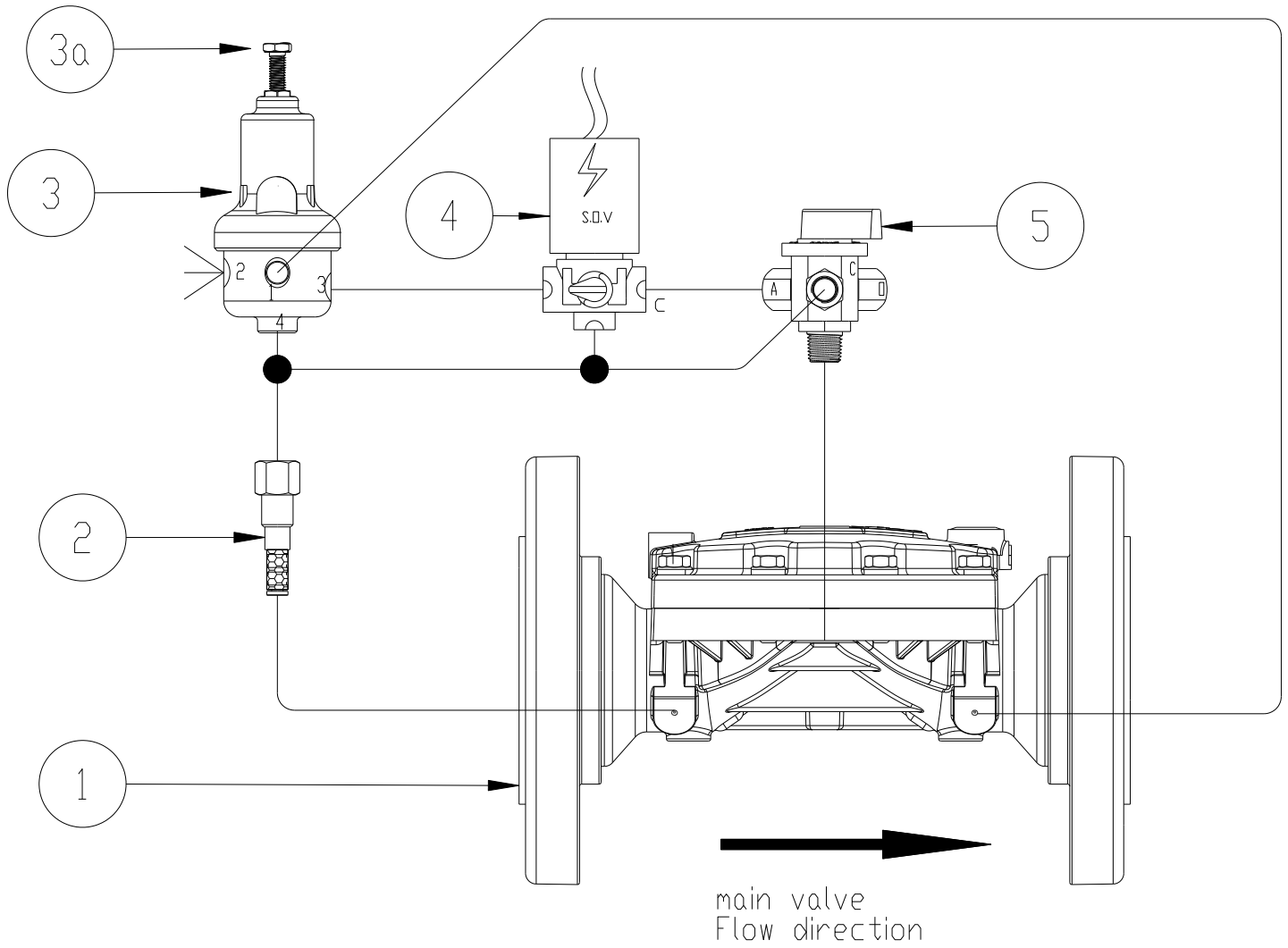
When the downstream pressure is lower than the pilot's pressure settings, the pilot decreases the internal pressure of the control chamber by releasing water out to the atmosphere through port #2, causing the valve's diaphragm to slightly open and increase the downstream pressure back to the required settings level.

For the electrical control of a N.O. valve, when the solenoid is energized water from the valve's upstream port flows into the control chamber and the valve closes. When the solenoid is de-energized water from the control chamber is released to the atmosphere and the valve fully opens.

For a N.C. valve, when the solenoid is energized water from the control chamber is released to the atmosphere and the valve regulates. When the solenoid is de-energized upstream water from the valve's upstream port flows into the control chamber and the valve closes.

For last position valve each time the solenoid is energized the valve changes position to either regulating or closed.

3. CONTROL LOOP



No.	Description	QTY.
1	Main Valve	1
2	Finger filter	1
3	Multipurpose pilot valve, 3-Way	1
4	Solenoid valve, 3-Way	1
5	Manual Selector, ball valve, 3-Way	1

4. OPERATION INSTRUCTIONS

1. To manually open the valve, turn the manual 3-way selector [3] to its "OPEN" position.

Please note:

- By doing so you will have no control over the downstream pressure; it is possible that your system will be exposed to excessive pressure.
 - There is an option to connect the open position of the manual override to the pilot #3 port for creating a solenoid override. by doing so you will have no control through the solenoid
2. To manually close the valve, turn the manual 3-way selector [5] to its "CLOSE" position.
 3. To maintain downstream preset pressure, turn the 3-way selector [3] to its "AUTO" position.
 - To increase the downstream pressure, turn the adjusting bolt (3a) clockwise, one turn at a time, allowing sometime between turns for the valve to respond. Downstream pressure is shown on your pressure gauge. Continue until required pressure is reached.
 - To decrease the downstream pressure, turn the adjusting bolt (3a) counterclockwise, one turn at a time, allowing sometime between turns for the valve to respond. Downstream pressure is shown on your pressure gauge. Continue until required pressure is reached.

5. MAINTENANCE

Under regular operation A.R.I.'s valves require minimal maintenance and no lubrication, however in freezing climates the valve should be dismantled and drained for the winter months.

5.1. Periodic Inspection

1. Every 6 months visually inspect the valve's diaphragm for any tears.
2. Every 12 months inspect the valve's operation and clean the Finger Filter.
3. Check the downstream pressure; adjust if required.

5.2. Storing the valve

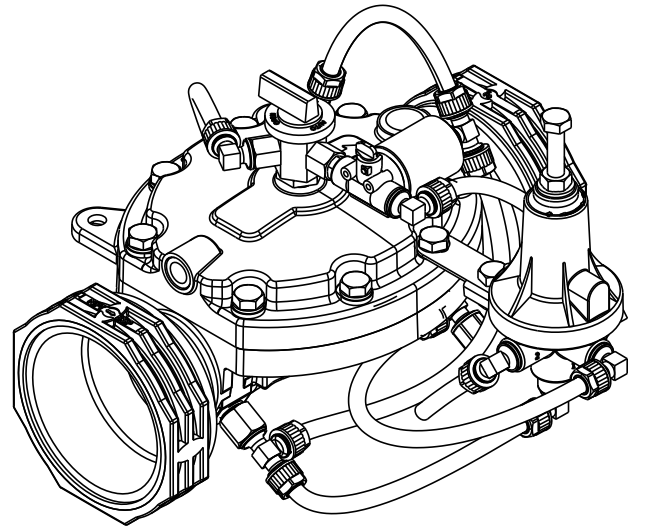
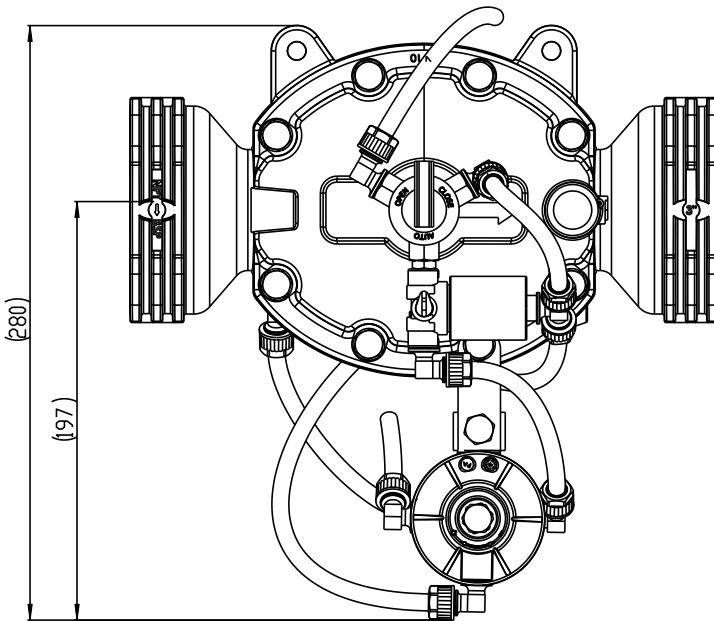
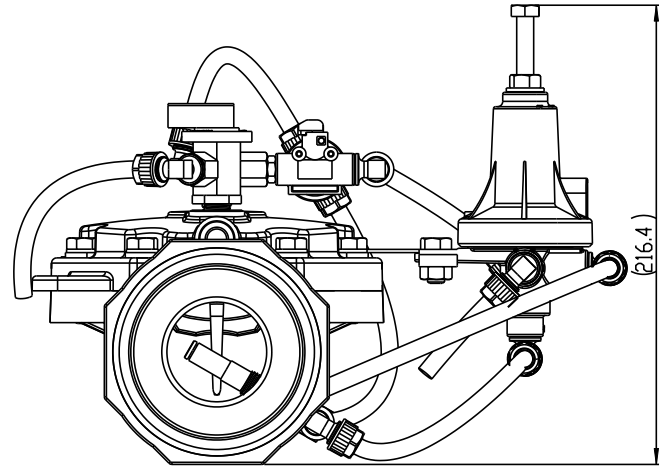
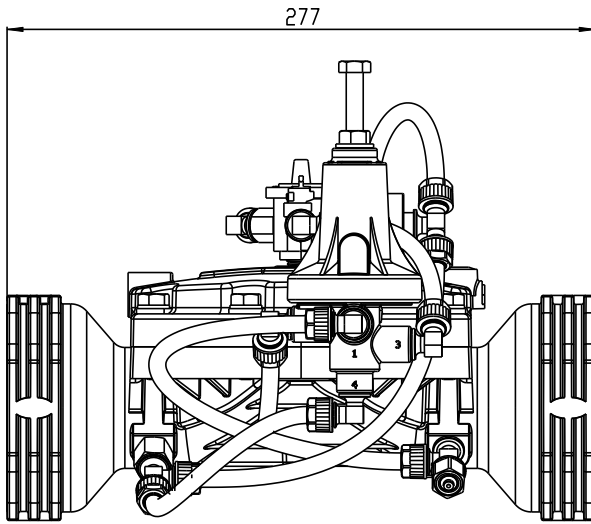
It is not recommended to store the valve or its spare parts for long periods (years); under improper storage conditions rubber parts can harden, have ozone cracking, grow mold bloom and heat aging.

It is recommended to order new rubber parts when required.

6. TROUBLESHOOTING

Problem	Cause	Check	Solution
Valve does not open	1. The Inlet pressure is too low	1. Check the inlet pressure	1. Make sure that the water supply (or the pump) is on.
	2. The 3-Way selector (5) is set to "close".	2. Check the position of the 3-way selector (5)	2. Turn the 3-Way selector (5) to "auto".
	3. Blocked pilot	3. No water coming out of the pilot #2 port.	3. Contact A.R.I.'s field service
	4. The pilot's adjusting bolt (3a) is completely open	4. Check the position of the pilot's adjusting bolt (3a)	4. Turn the adjusting bolt (3a) clockwise, one turn at a time, allowing sometime between turns for the valve to respond. Continue until the required pressure is reached.
Valve does not close	1. Debris on the sealing seat	1. The valve is constantly discharging small amount of water	1. Turn the 3-way selector (5) to "open" for 5 seconds, and then to "close". If the problem continues, turn off the water supply to the valve. Remove the bonnet and diaphragm, remove the foreign object, and check that the diaphragm, body and cover are not damaged.
	2. The diaphragm is damaged	2. The valve is constantly discharging small amount of water	2. Turn off the water supply to the valve. Remove the bonnet and replace the diaphragm.
	3. The 3-Way selector is in the "open" position.	3. Check the 3-way selector.	3. Turn the 3-Way selector (5) to "auto" or "close" position
	4. Blocked self-flushing filter (2).	4. Disconnect the control tube from the self-flushing filter (2) and check for free water flow.	4. Turn off the water supply to the valve, remove the finger-filter and clean or replace it.
Unstable downstream pressure	Blocked or damaged pilot	Unstable pressure downstream of the valve	Contact A.R.I.'s field service
Incorrect but stable downstream pressure	Wrong preset pressure		Readjust the downstream pressure as described in the Initial Set-up chapter (2.3).

7. DIMENSIONAL DRAWINGS



Dimensions are in mm.

8. A.R.I. LIMITED WARRANTY

A.R.I. Standard International Warranty

A.R.I. manufactured products are guaranteed to be free from defect in material and/or workmanship and to perform as advertised when properly installed, used and maintained in accordance with current instructions, written or verbal.

Should any item prove defective within the time period set forth for that item(s), but in any case not later than within 12 (twelve) months of that product having left A.R.I.'s premises, and subject to receipt by A.R.I. or its authorized representative, of written notice thereof from the purchaser within 30 days of discovery of such defect or failure - A.R.I. will repair or replace or refund the purchase price, at its sole option, any items proven defective in workmanship or material.

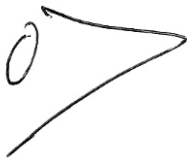
A.R.I. will not be responsible, nor does this warranty extended to any consequential or incidental damages or expenses of any kind or nature regardless of the nature thereof, including without limitation, injury to persons or property, loss of use of the products, loss of goodwill, loss of profits or any other contingent liabilities of any kind or character alleged to be the cause of loss or damage to the purchaser.

This warranty does not cover damage or failure caused by misuse, abuse or negligence, nor shall it apply to our products upon which repairs or alterations have been made by other than an authorized A.R.I. representative.

This warranty does not extend to components, parts or raw materials used by A.R.I. but manufactured by others, which shall be only to extent warranted by the manufacturer's warranty.

THERE ARE NO WARRANTIES, EXPRESS OR IMPLIED, EXCEPT THIS WARRANTY WHICH IS GIVEN IN LIEU OF ANY OTHER WARRANTIES, EXPRESS OR IMPLIED, INCLUDING ANY IMPLIED WARRANTY OF FITNESS FOR A PARTICULAR PURPOSE.

(R10822)



Ori Sheffi
C.E.O